



**HIDDEN
GALA**



MESSAGE FROM //RICECUTTA//

The Nori Weapon Add-on (NWA) packs are my interpretation of the future existing in the present. The modular frame gives you the option to build your desired firearm loadout akin to dressing up for an event or party. This design is my first big remix that required many design changes, learning, and long nights to reach the final version you see now. For all those dreamers and creatives that want to make designs, go for it, take the leap, you'll never regret it.

Thank you for downloading the NWA pack; without people like you supporting, building, and spreading the signal, projects like this wouldn't exist.

DREAM, CREATE, AND NEVER FADE AWAY

SPECIAL THANKS TO:

@FFFTech @Digitalnimbuslabs @BooliganCustomGunworks @Middleton Made
@jaegercompny @Dianexis @dmtx1010 @Mprtech2 @Maverick0197

Printed Parts:

- Nori frame Receiver
- Nori Shroud
- Feed Ramp
- Your Choice of Tail Cap
- FD Grip
- (Optional) Kama Brace
- (Optional) Takedown Pin
- (Optional) Printed pic rail
- (Optional) Pic rail Handguard

Note: None of the kits change the front receiver mount, mix and match with any remixed file you can find of it.

Pre-manufactured Parts:

- M4 bolt kit (iExcell 450 Pc metric M4 kit has all the bolts)
- M11 Upper Assembly
- AR15 Fire Control Group
- AR15 Magazine Catch & Spring
- (Optional) Takedown Pin
- (Optional) Metal Pic rail for rear
- (Optional) Dianexis Stock Hardware Kit from rkspookware

Tools

- 5/32 Drill bit (trigger pins)
- 3/8 Drill bit (safety)
- Power Drill
- Razor Blade (cleaning the print)
- Sandpaper
- Set of long allen keys

Note: Of the above tools mentioned I only used a razor and treated like cleaning up a gunpla kit if your printer is a little off then these tools will help with assembly.

This was printed in PLA+ at 215c-218c.

Receiver-Front, Feedramp, and the Tail Cap

- Layer height: .12mm
- Infill: 99%-100%
- Wall count: 6-8
- Supports: on/everywhere

Nori Frame and Takedown Pin

- Layer height: .12mm-.2mm
- Infill: 99%-100%
- Wall count: 6-8
- Supports: on/everywhere

Hidden Gala grip

- Layer height: .12mm-.2mm
- Infill: 25%
- Wall count: 5-6
- Supports: on/everywhere

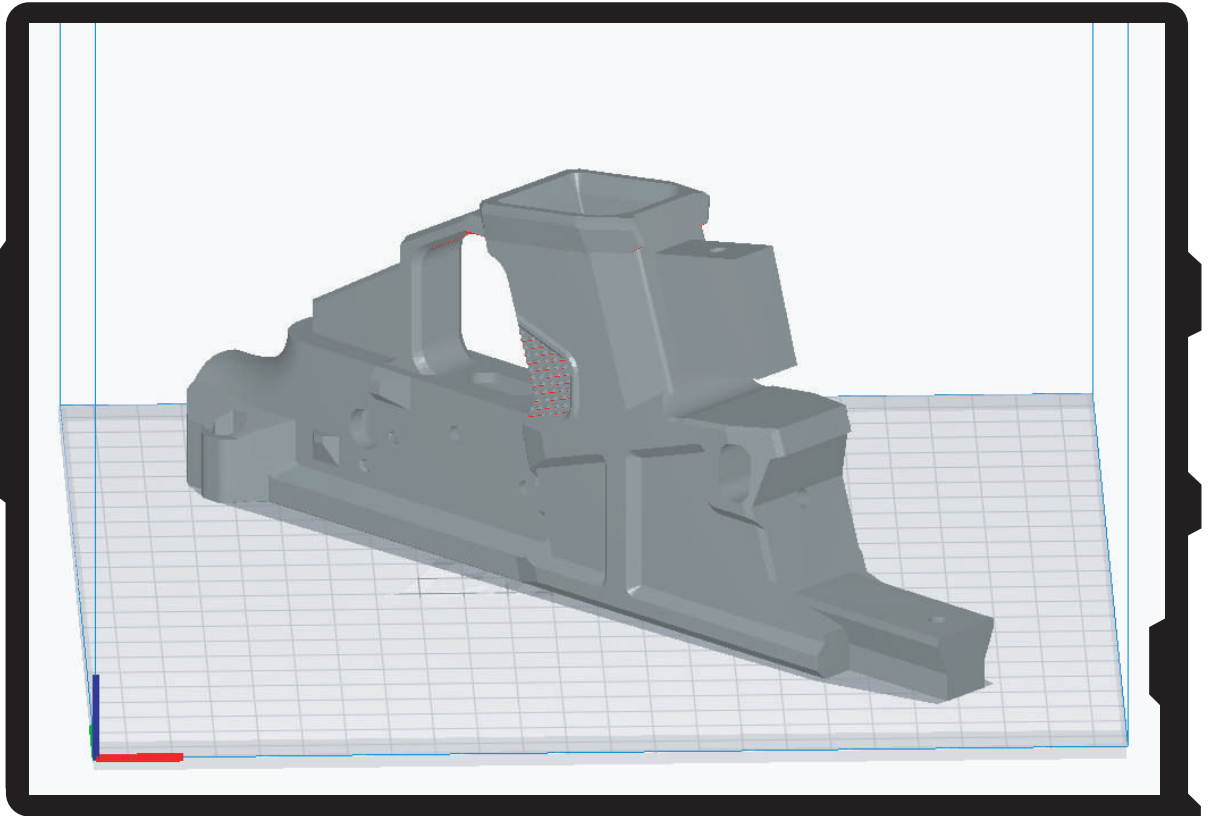
Handguard

- Layer height: .12mm-.2mm
- Infill: 25%
- Wall count: 4-5
- Supports: on/everywhere

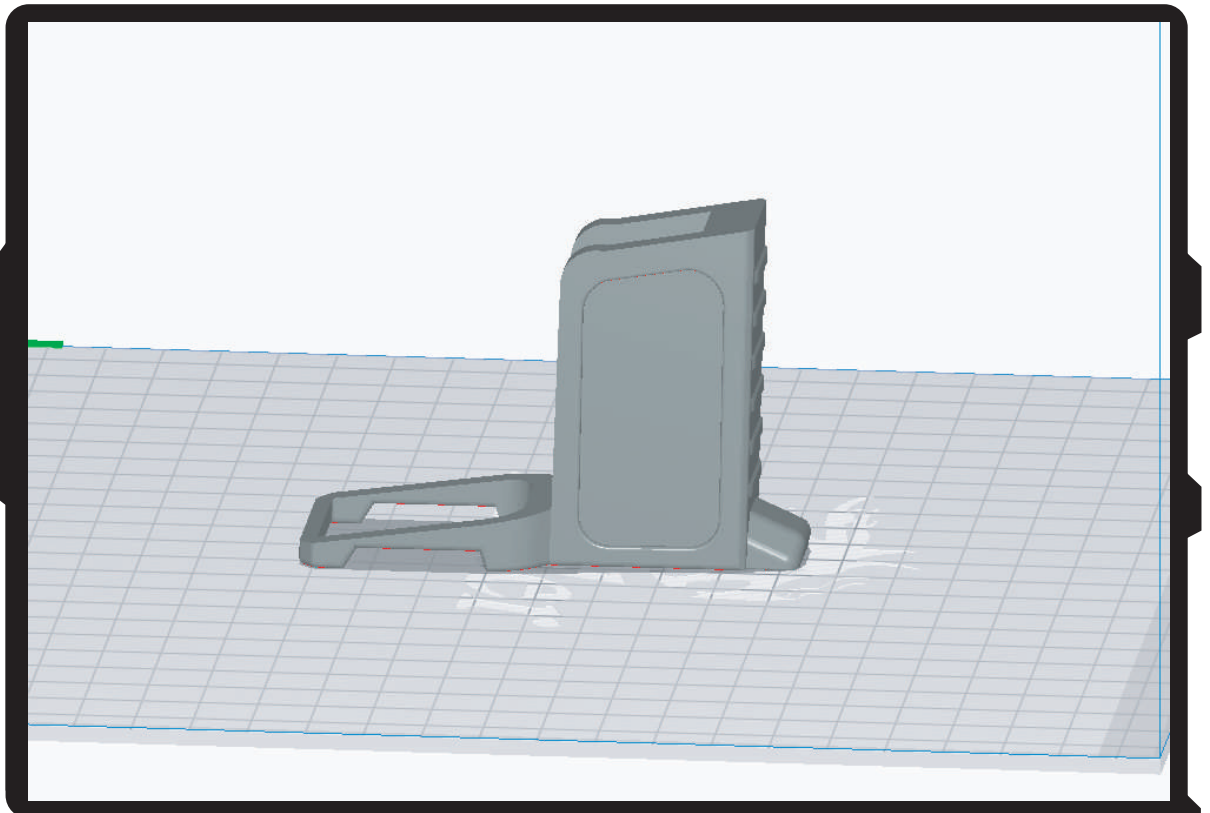
Kama Brace

- Layer height: .12mm-.2mm
- Infill: 50%
- Wall count: 6-8
- Supports: on/everywhere/tree

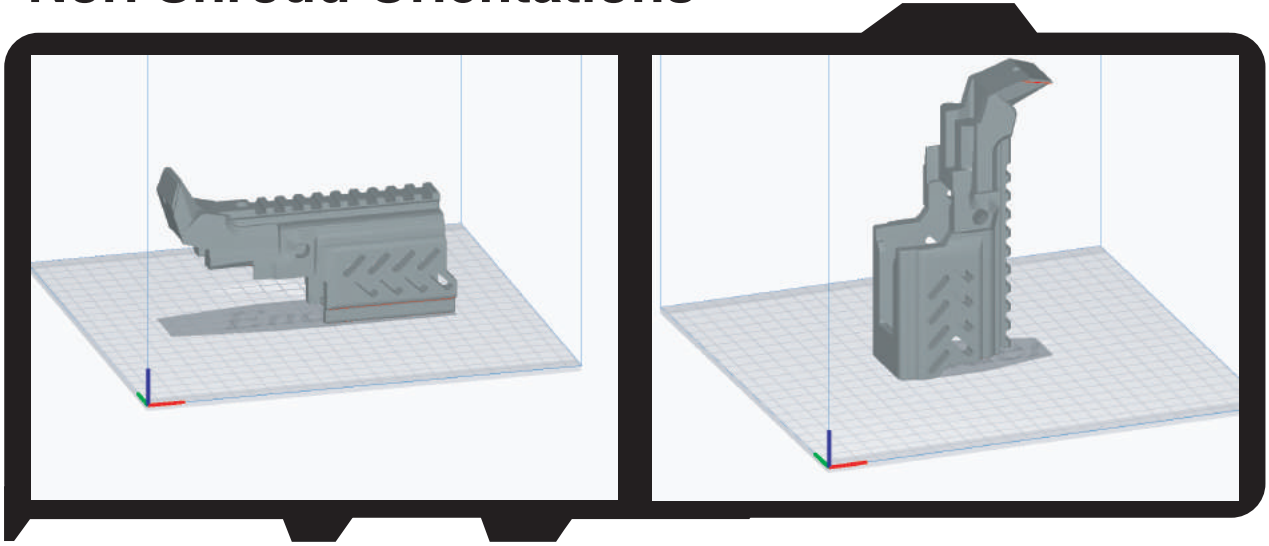
Main Frame Orientation



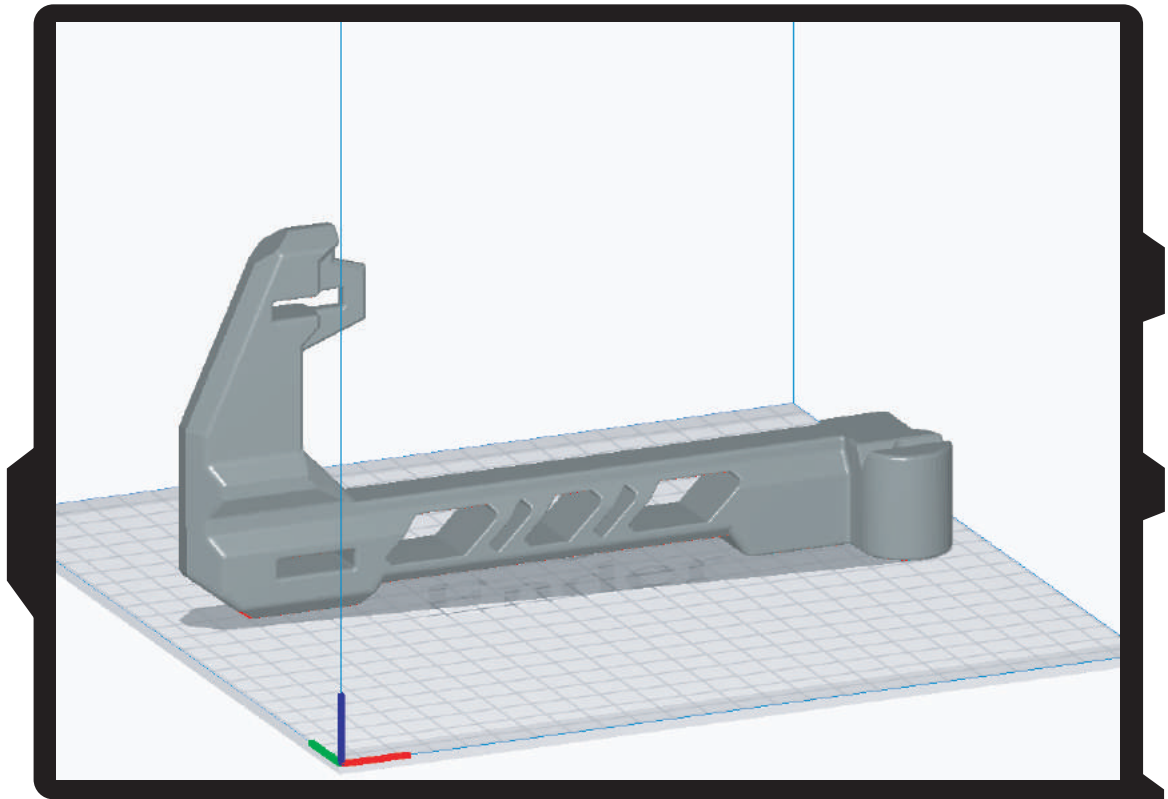
Hidden Gala Grip Orientation



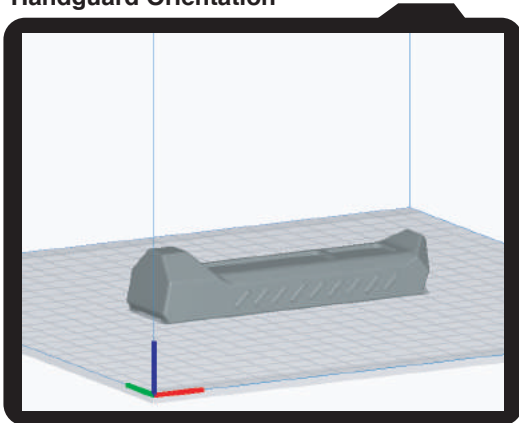
Nori Shroud Orientations



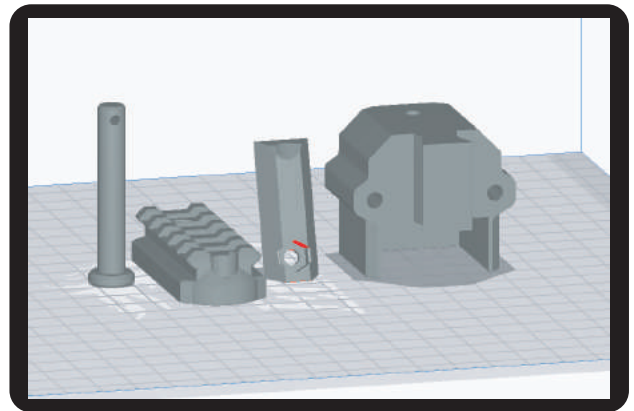
Kama Brace arm Orientation



Handguard Orientation



TD pin/Rear Pic rail/ Feed Ramp/ Rear Cap



Note: This is a copy from the original Mac N Cheese instructions

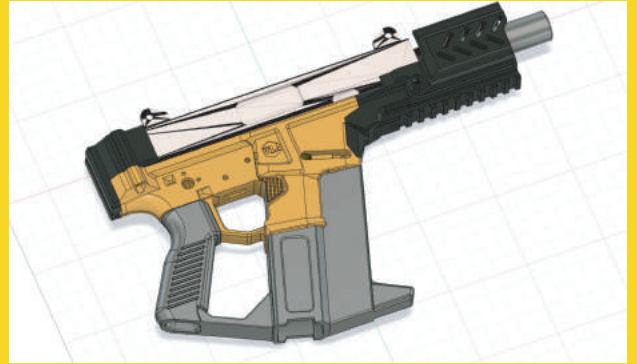
1. Use the drill bits to drill each of the trigger pocket holes, safety, and pinholes out. The goal is to clean the hole from any irregularity printing caused, not to open them up. Drill each hole from its own side, not all the way through from one hole to another.
2. The feed ramp will need a sanding/polish prior to installation. Sand the circular face to break up any layer lines that might be there. Do not change the geometry or sizing more than a light sanding.
3. Slide the front receiver onto the main body and secure them together with a nut inside the feed ramp and an M4 screw through the front receiver, through the main body. Do not fully tighten yet.
4. Insert a nut in the top of the main body dovetail and a screw through the front receiver. Once inserted, tighten the #3 screw/nut and then #4. Do not overtighten.
5. Install your AR15 magazine catch and spring. The button should sit one or two revolutions below the surface of the button, but do what makes the magazine fit most secure. TIP: if your magazine catch has a sharp bottom edge and is scuffing your magazines, use a file on the BOTTOM edge to add a small chamfer and break the 90 degree, sharp edge. This will not only prevent excess magazine wear, but aid in magazine insertion.

6. Install your AR15 fire control group. It's easiest to install in the order trigger, safety, hammer.
7. Slide the rear cap of your choice into the rear of the receiver and secure it with the appropriate M4 screws (the length varies depending on your tail cap choice).
8. Install your AR grip. The safety doesn't require a detent pin and spring if drilled out properly, but if you wish to use one, there is the appropriate shelf to provide you enough material to drill it yourself.

9. To attach the upper receiver, remove any magazine you may have and set the trigger to fire, put the safety on, and slide the tail end of the upper into the tail cap, then insert the pin into the upper receiver while applying rearward pressure.

10. Function test while dry/no ammo/with snap caps. Ensure your trigger resets after dry firing. Ensure your magazine seats and doesn't drop free. Ensure your grip is tight and doesn't wobble.

PHOTO GALLERY



IT HAS BEEN A WILD RIDE, TILL THE NEXT PARTY
KEEP PRINTING...